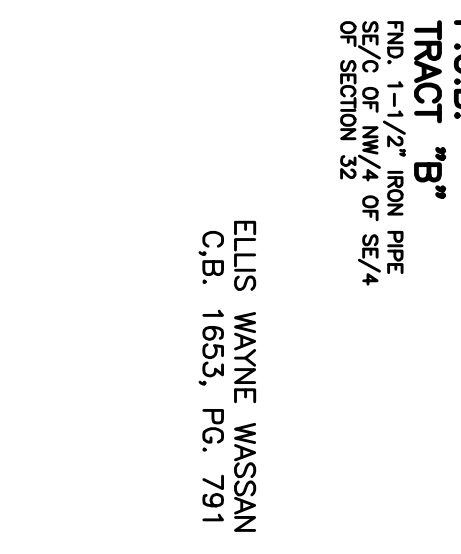
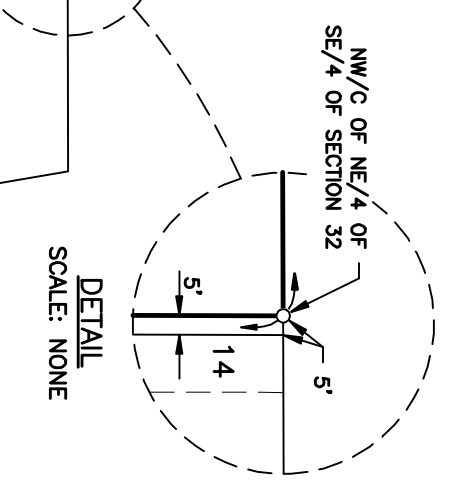
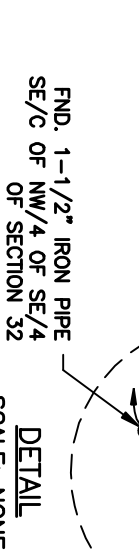
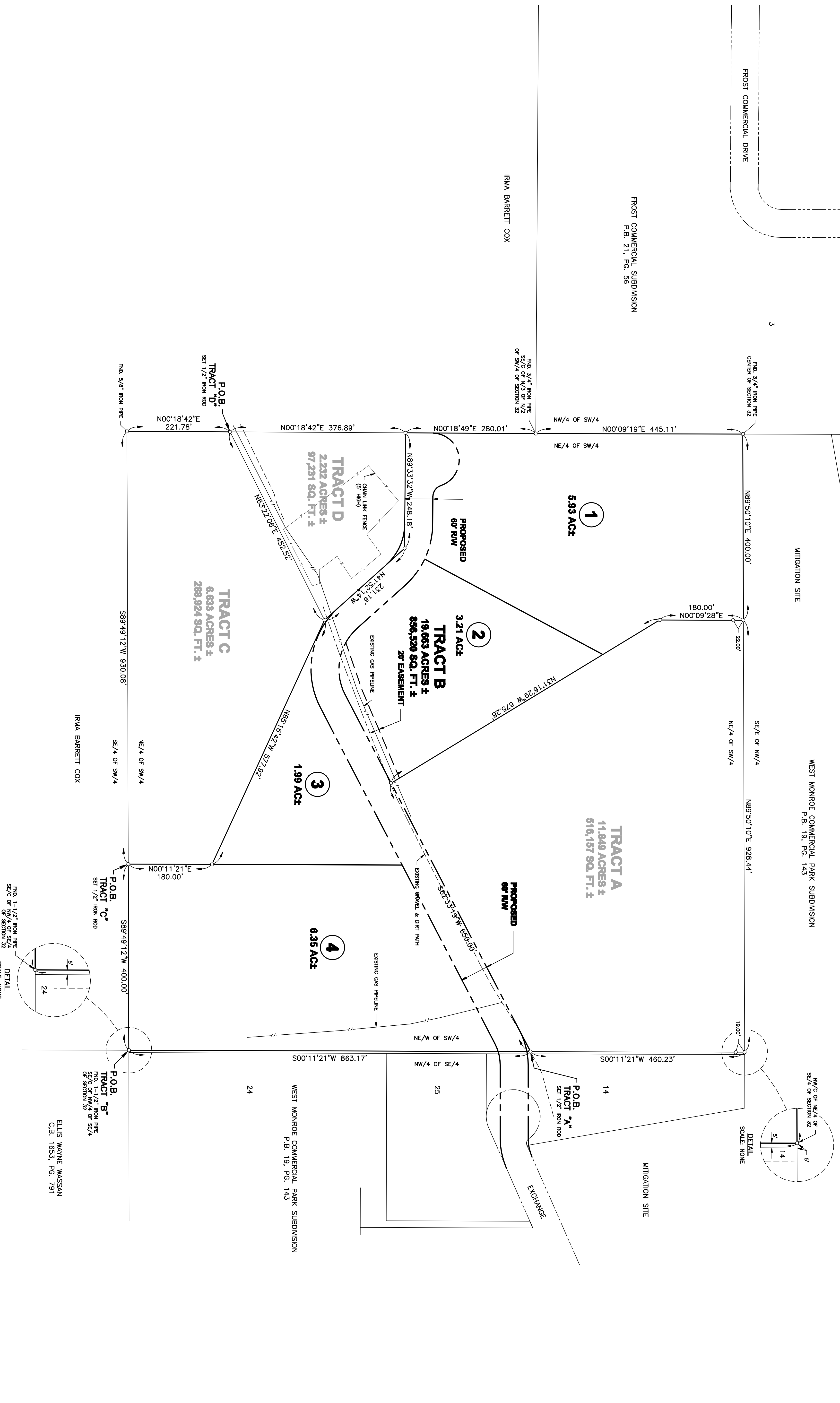
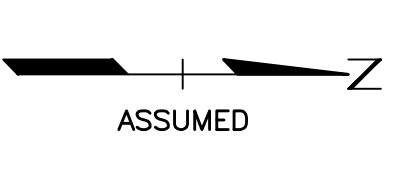


OUACHITA PARISH, LOUISIANA

SECTION 32, T18N-R3E

WEST MONROE COMMERCIAL PARK SUBDIVISION
P.B. 19, PG. 143



LEGEND
 ○ SET 1/2" I. ROD
 ○ (UNLESS OTHERWISE NOTED)



BY	REVISION	DESCRIPTION
CITY OF WEST MONROE		PROPOSED LOT LAYOUT #3
		COX PROPERTY TRACT B
		SECTION 32, T18N-R3E
		OUACHITA PARISH, LOUISIANA
S. E. Huey Co.		
<small>1111 N. 18th ST. MONROE, LA 70001 PH. 338-3178</small>		
DATE: 11/12/07	DRAWN BY: KOM	CHECKED BY: RLG
DRAWING NO. 076381-07	TRACED BY:	APPROVED BY: